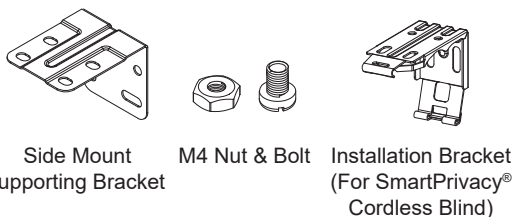


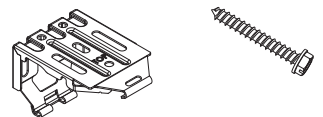
Side Mount Bracket Installation Instructions

Side mount bracket is only available for the arch window with blind width $\leq 37"$.

Check Component / Hardware:



Side Mount Supporting Bracket M4 Nut & Bolt Installation Bracket (For SmartPrivacy® Cordless Blind)



Installation Bracket (For Ultimate™ Cordless Blind) 1 1/4" Screw




Getting Started

NOTE: Prior to installation, please make sure your hands are clean and free from any dirt or oil that could cause damage to the blind.

Recommended Tools

- Measuring Tape
- Pencil
- Level
- Screwdriver
- Power drill (1/4" hex driver and drill bit)

You will need to use the following fasteners for your particular mounting surface.

Surface	Fastener
Wood	1 1/4" Hexagonal Head Screw (Provided) 
Drywall/Plaster	Wall Anchors, Expansion Bolts (Not Provided) 
Metal	Sheet Metal Screws (Not Provided) 

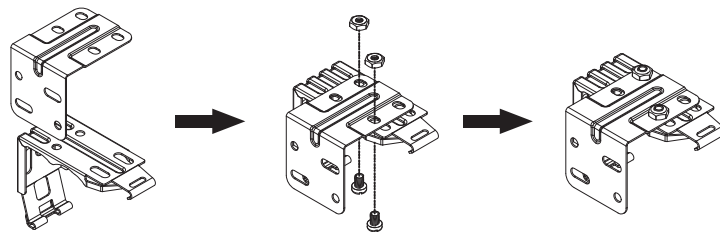
Hardware Standard Quantity

Blind Width(X)	X \leq 37"
Installation Bracket	2
1 1/4" Screw for Installation Bracket	4
Side Mount Supporting Bracket	2
M4 Nut&Bolt for Side Mount Supporting Bracket	4 sets

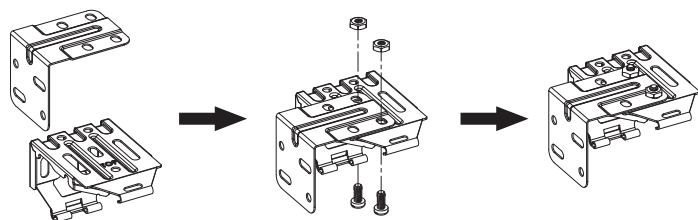
How to assemble side mount bracket

When assembling the side mount supporting bracket, please use the installation bracket that is provided with the blind.

For SmartPrivacy® Cordless Blind: Align the side mount supporting bracket holes with the installation bracket holes, and then screw the M4 Nut & bolt into the **diagonal holes** for the left side mount bracket. Do the same for the right side mount bracket.



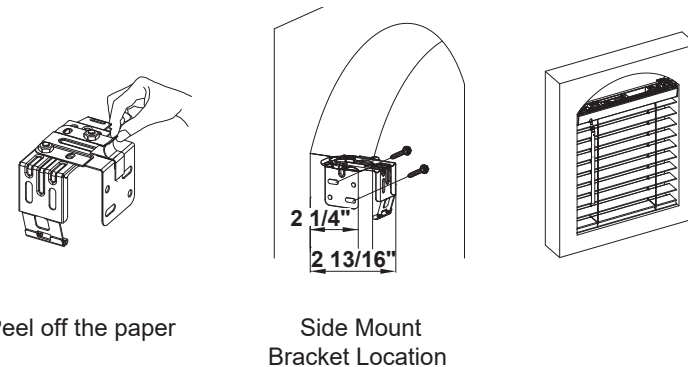
For Ultimate™ Cordless Blind: Align the side mount supporting bracket holes with the installation bracket holes, and then screw the M4 nut & bolt into the **outside holes** for the left side mount bracket. Do the same for the right side mount bracket.



How to install side mount bracket

Peel off the double-sided adhesive tape on the bracket and stick the bracket at the marked location. Put two 1 1/4" mounting screws into the **diagonal holes** to secure bracket. Use wall anchors for drywall or plaster wall.

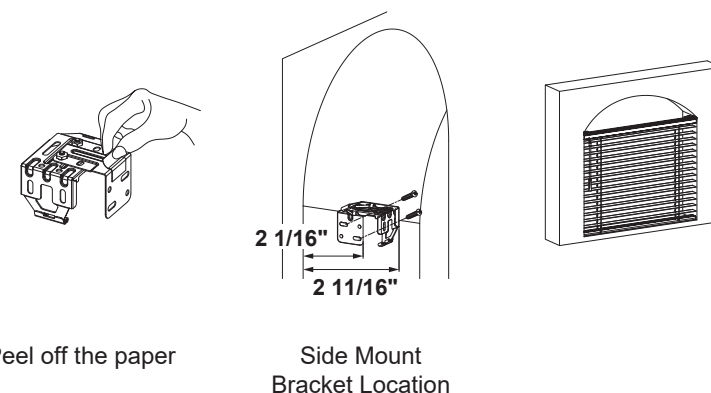
For SmartPrivacy® Cordless Blind:



Peel off the paper

Side Mount Bracket Location

For Ultimate™ Cordless Blind:



Peel off the paper

Side Mount Bracket Location

Note: For the blind installation, please refer to the installation instruction sheet in the hardware box.