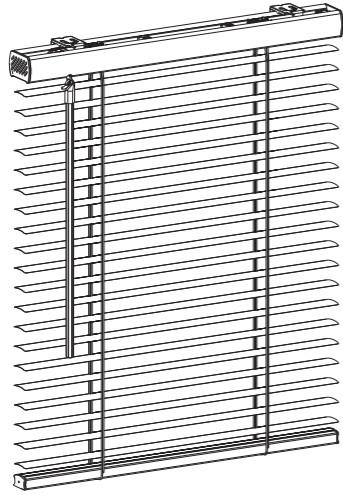


Installation & Maintenance Instructions

Please take a moment to review the following installation guide. Properly installed, your new blind will provide you with years of beauty for your home.



Getting Started

Remove the blind from the package. Be sure to keep the packaging until the blind operates to your satisfaction. Please take a moment to review the following installation guide for proper installation.

Recommended Tools

- Measuring Tape
- Pencil
- Level
- Screwdriver
- Power drill

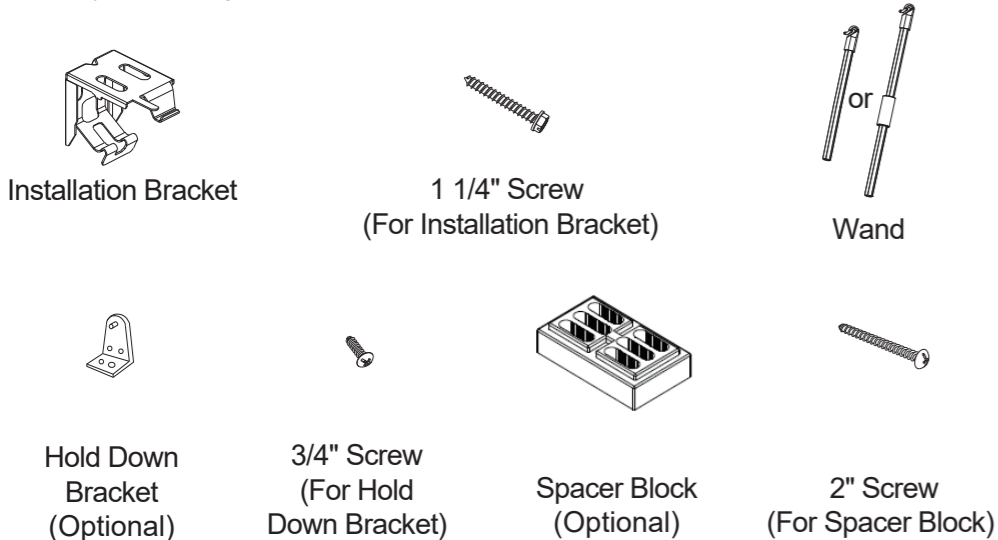


You will need to use the following fasteners for your particular mounting surfaces :

Mounting Surface	Fastener	
Wood	1 1/4" Hexagonal Head Screw	
Drywall/Plaster	Wall Anchors, Expansion Bolts (Not Provided)	
Metal	Sheet Metal Screws (Not Provided)	

Check Component / Hardware

Check your package for contents needed for proper installation.



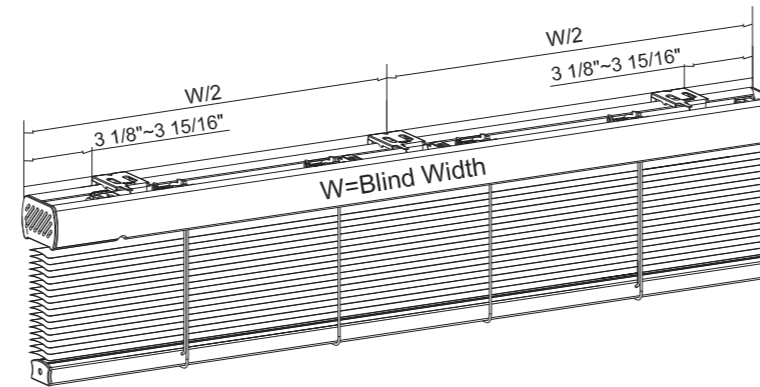
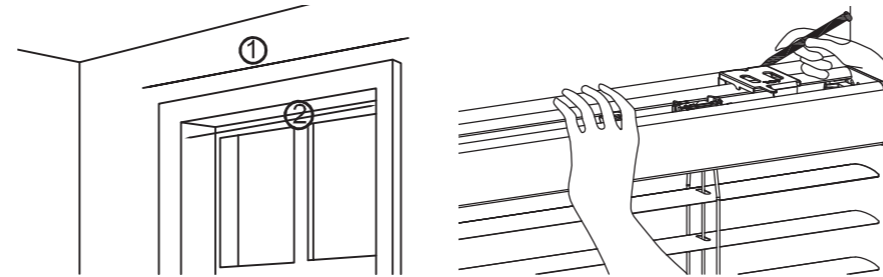
Hardware Standard Quantity

Blind Width (X)	X ≤ 37"	37" < X ≤ 60"	60" < X ≤ 78"
Installation Bracket	2	3	4
1 1/4" Screw for Installation Bracket	4	6	8
Wand	1		
Hold Down Bracket (Optional)	2		
3/4" Screw for Hold Down Bracket	4		
Spacer Block - 1 Layer (Optional)	2	3	4
Spacer Block - 2 Layers (Optional)	4	6	8
2" Screw for Spacer Block	4	6	8

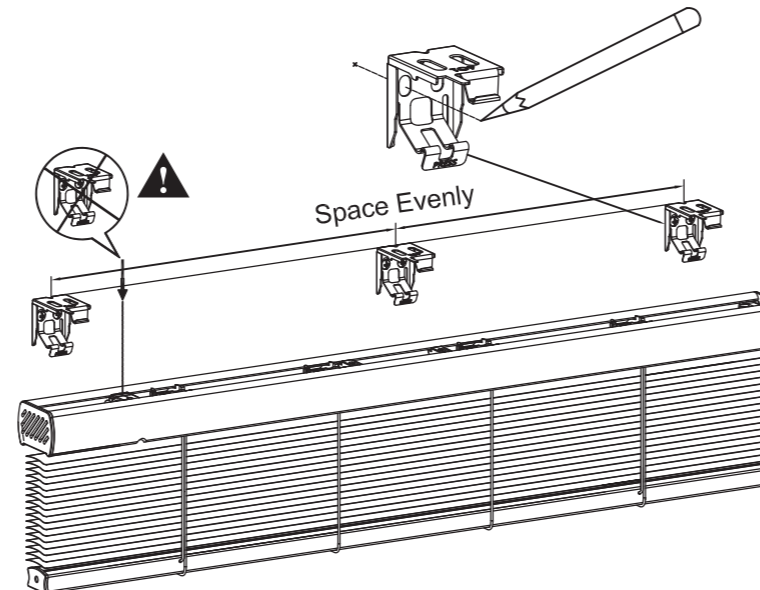
Note: You may find more hardware parts than you actually need. In that case, feel free to set them aside for future use.

Step 1. Bracket Installation

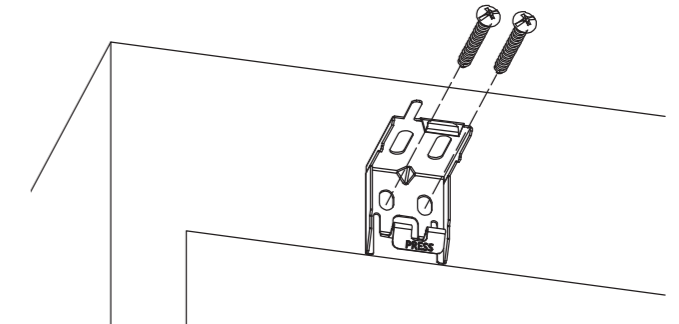
Choose a blind position (①-Outside mount, ②-Inside mount) and mark the bracket location.



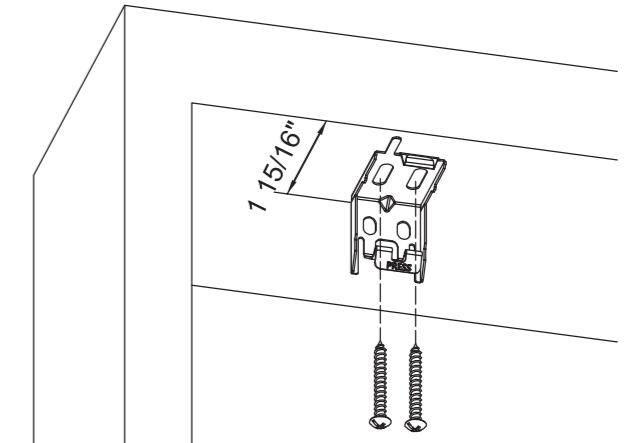
⚠ Brackets should not interfere with the tilt mechanism.



OUTSIDE MOUNT

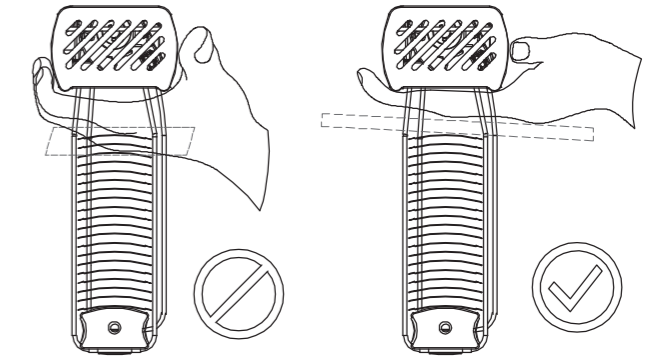


INSIDE MOUNT

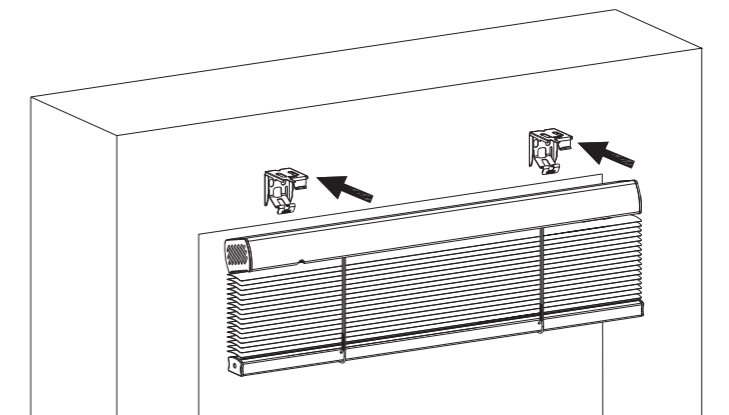


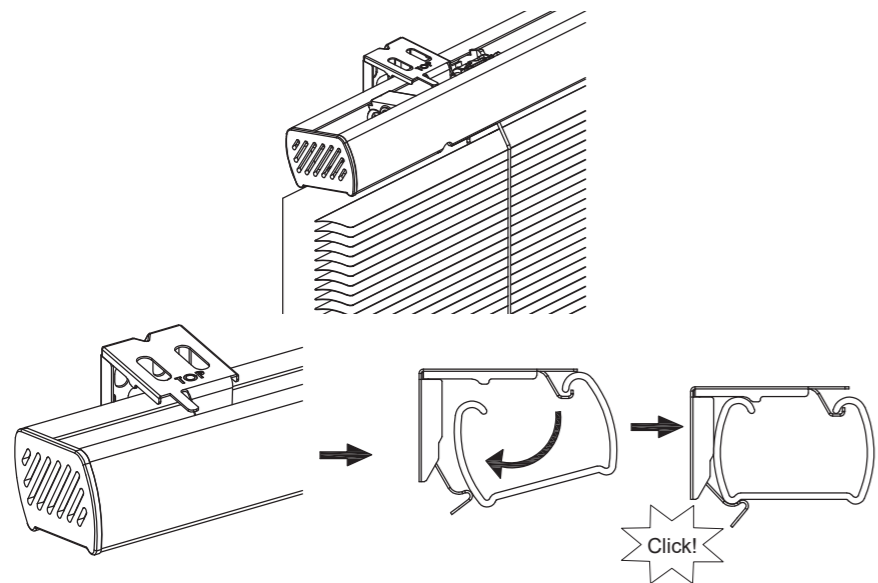
Step 2. Install the Blind

⚠ To mount the blind, gently hold the headrail flat. Do not grasp the back of the headrail or apply too much downward pressure to the slats to minimize stretching the ladders.



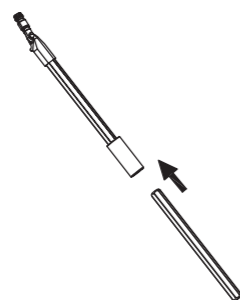
Push the headrail in towards the brackets to activate the spring-loaded tab and in the same motion tilt the back of the headrail downwards at the angle. Make sure your blind is secure.





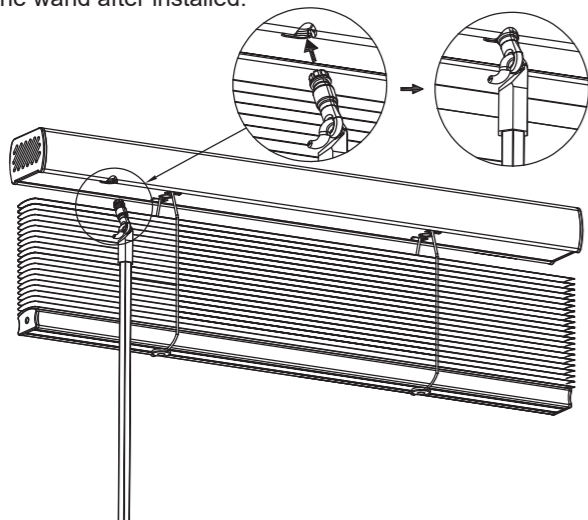
Step 3. Assemble the Split Wand (if needed)

Assemble the Split Wand (if needed):
For split wand, aim the wand at the wand connector hole and push the wand into the hole till the end.



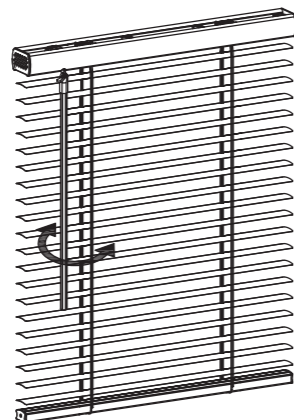
Step 4. Insert the Wand

Insert wand tilt connector into the bottom of headrail till they are clicked.
Do not take down the wand after installed.

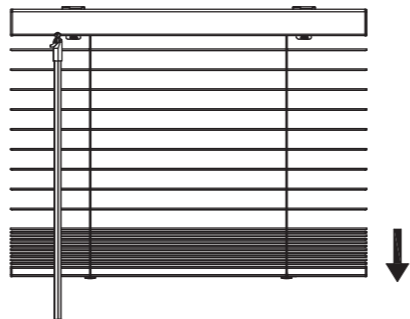


Operate your blind

Tilt wand:
Rotate wand to attain desired slat position.

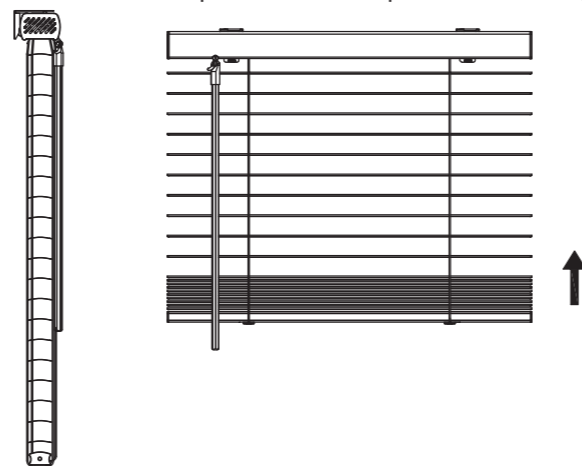


Lower the blind:
The slats need to be opened at any angle and kept even when pulling the bottom rail down by hand.

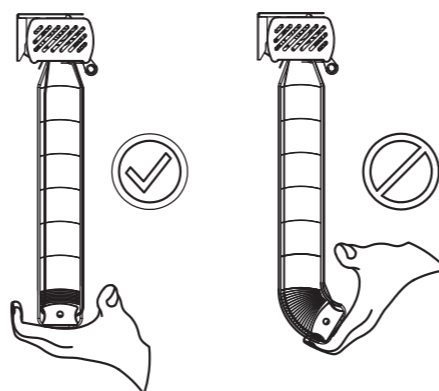


Raise the blind:
Gently tilt the slats level before lifting the bottom rail up by hand.

⚠ Do not put the slats in a closed up or closed down position while lifting the bottom rail.



⚠ To avoid offset stacking (bottom rail not hanging straight downward), hold the bottom rail with both hands evenly, and lift/pull while keeping the underside of the bottom rail pointed straight down.
Avoid tilting the bottom rail forward or backward while raising or lowering the blind.

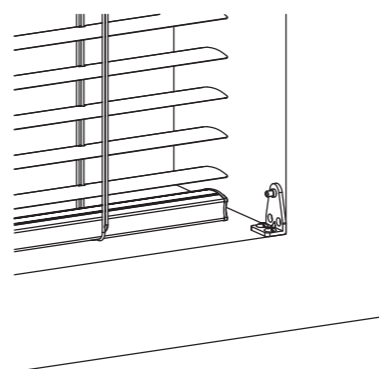


Additional Attachments

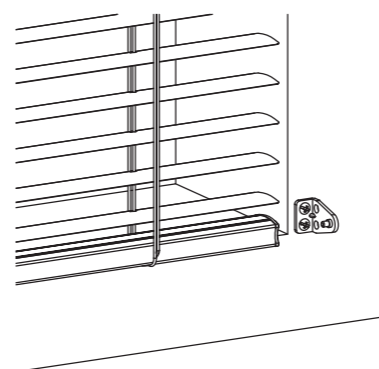
Hold down brackets (if included)

Attach the hold down brackets against a flat surface, horizontally or vertically, parallel to the bottom rail. Make sure the protruding area is aligned with the hole on the side of the bottom rail. Secure the hold-down bracket into the bottom rail on both sides to keep blinds in desired location.

Inside Mount



Outside Mount

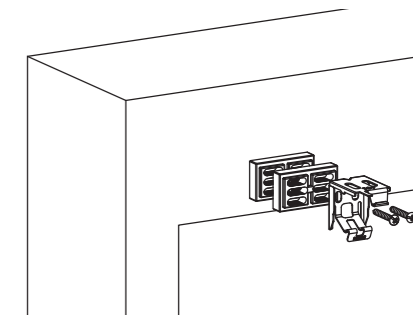
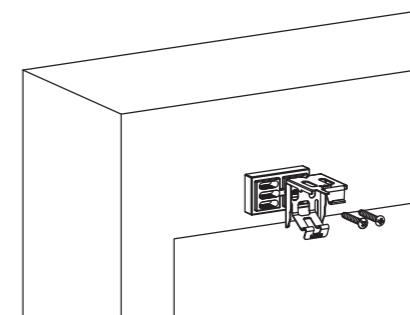


Spacer Blocks (For OB only)

Use 2pcs of 2" screws to secure the bracket and spacer block as below drawing. Make sure the bracket holes align to the spacer block holes.

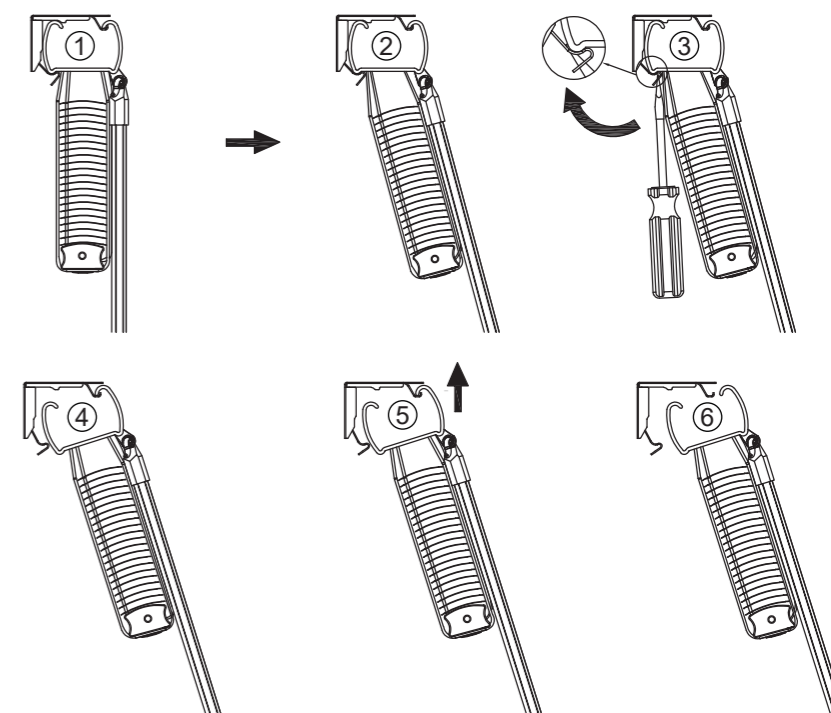
1pc for extend distance 3/8"

2pcs for extend distance 11/16"



Remove the blind

Use screwdriver to insert into the gap of bracket as ③. Then, follow ④ direction to release the headrail from brackets.



Cleaning Instructions

Routine cleaning will help maintain the beauty of your blinds. There are two ways to clean. You can dust it with a duster or dusting mitten, or simply use a soft cloth, slightly moistened with water, to wipe down the slats. Then, flip them over to clean the other side as well. You can clean it with the blind hanging on the window, or you can take it down completely. By tilting the slats down but not fully closed, you will be able to clean most of the top surface of each slat. **Do not use detergent or abrasive cleaning solutions to clean the blind since it will likely cause damage to the blind.**

