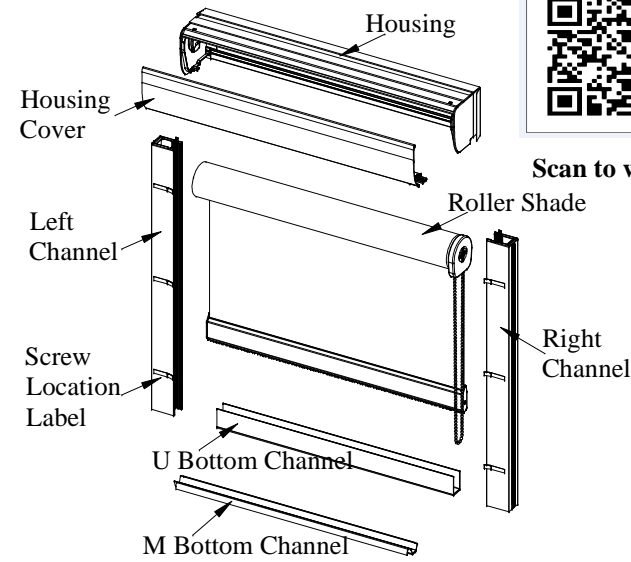


N301124-B

LightGuard 360™ System Installation Instructions



Scan to watch



Recommended tools

- Power drill
- Tape measure
- Screwdriver
- Level ruler
- Pencil



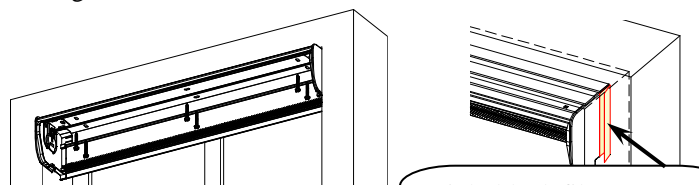
Hardware included

Hardware	Drawing	Usage
1 1/4" Hexagon screw		To install Housing, Bottom Channels, Side Channels
2" Flat head screw		To install safety tension device

Installation of Housing & Side Channels

1. Installation of the housing

Install the housing to the wall with 1 1/4" hexagon screws. Check to see if the window header is level. If not, use shims to level the housing.

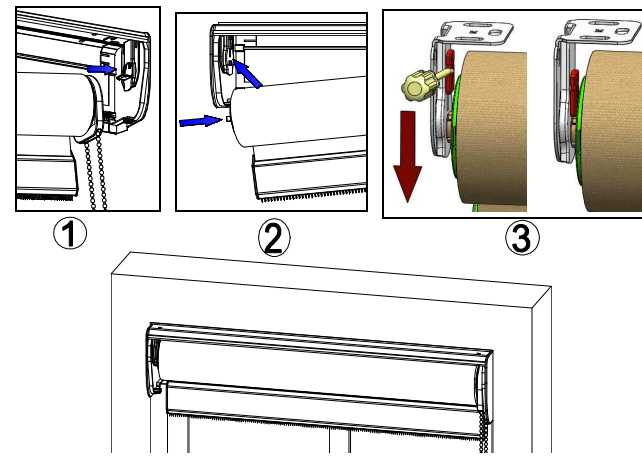


Light block film to cover the light between wall and housing end cap.

2. Installation of the shade

- ① First, insert the control side into the tongue of the bracket for the control side.
- ② Second, press the end plug and insert the end plug into the hole of bracket of the other side.
- ③ Third, slide the lock pin in the shade bracket downward into the end plug to prevent the shade from falling.

④ Finally remove the paper band from the shade.



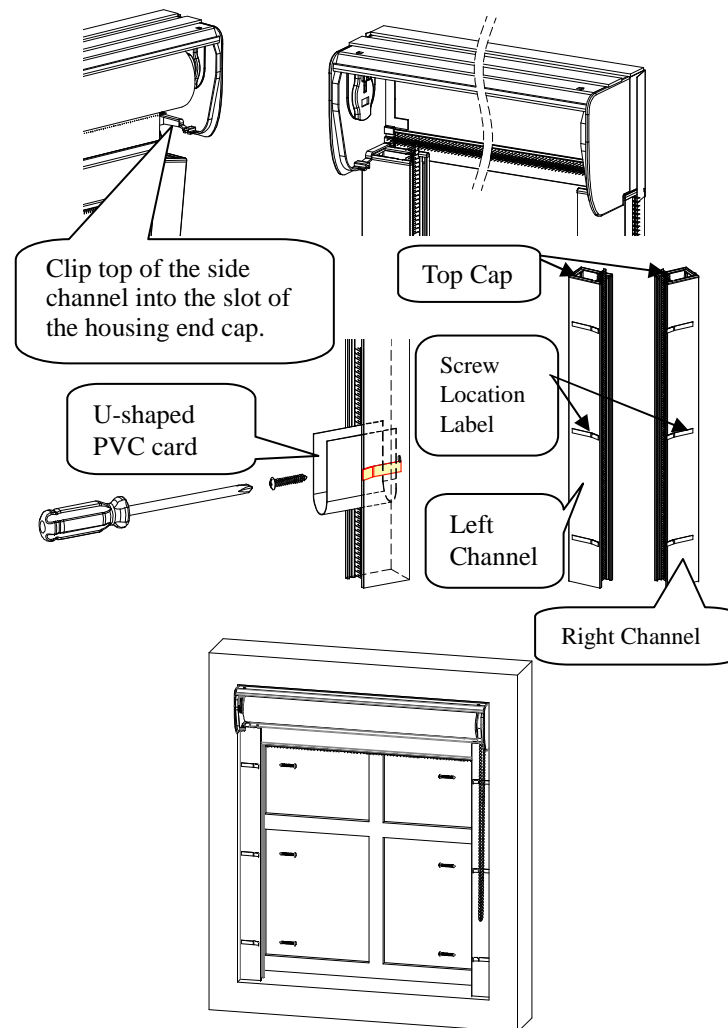
3. Installation of the side channels

Note: Make sure the shade functions properly before installing the side channels.

Determine the left and right channels by noting that the top of each channel has a plastic top cap while the bottoms do not. The front of each channel contains labels indicating location of screw holes.

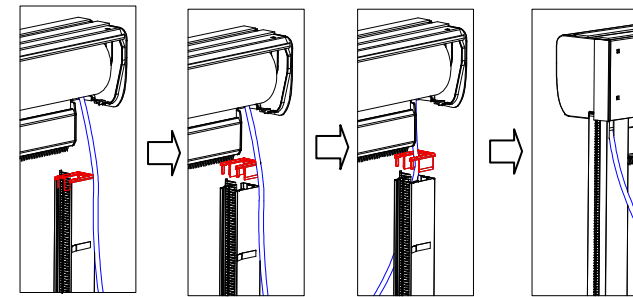
Position the top of each channel around the hem bar and clip into the slot of the housing end cap.

Take out the PVC card that stick on the side channel, and then fold it into a U-shape and place into the channel near the screw location labels to reveal each screw hole. Remove the screw location label after side channels are properly installed.



Motorized Shades:

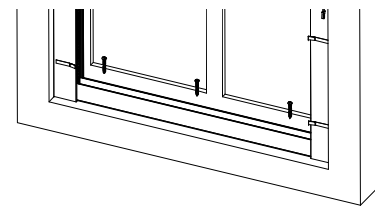
For motors with power cord and plug the cord must be routed through the back of the channel. Remove the channel end cap and run the cord through the cutout and behind the channel. Install the side channels as described earlier. For shades with battery wands determine best location for mounting the wand and route cable accordingly.



4. Installation of the bottom channel

Note: Please skip this step if there is no bottom channel.

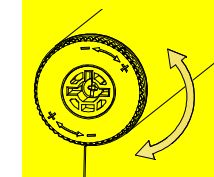
Place the bottom channel into the side channels and install the screws through the screw holes.



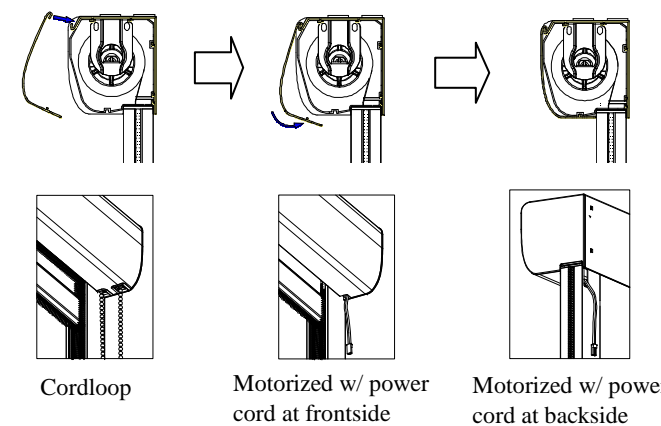
5. Installation of the housing cover

Note: Make sure the shade functions properly before installing the housing cover.

For cordless shades, if the shade begins to slide down on its own or it fails to roll up, the issue can be easily fixed by turning the adjustment dial towards "+" to increase the tension. Conversely, if the shade cannot stop at the desired height and tends to roll up by itself, the tension can be decreased by turning the adjustment dial towards the "-". The shade must be installed on the brackets when adjusting.



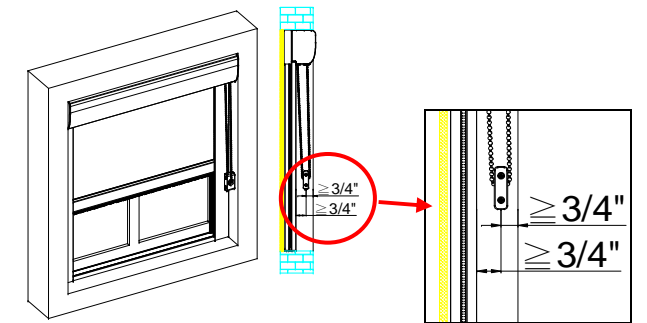
Installation: Hang the top edge of the housing cover on the housing, and then flip down the bottom of the housing cover into the end cap. Pay attention not to pinch the bead chain / power cord.



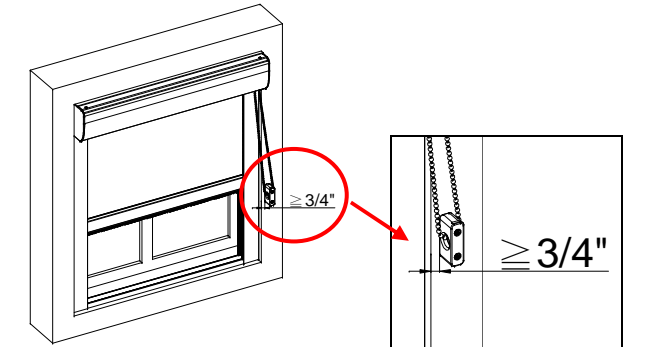
6. Installation of safety tension device

For Continuous Cord Loop, properly secure the safety tension device.

Mount inside the opening

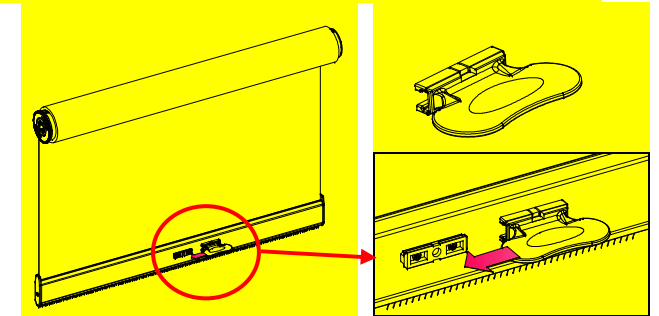


Mount outside the opening / wall mount



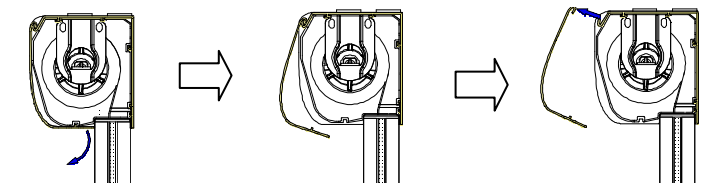
7. Installation of handle

For Cordless shades, slide the handle into the handle base.



Removal of Housing Cover

Flip down the bottom edge of the housing cover to detach from the housing end cap, and then remove the housing cover from above.



Removal of Shades

- ① Use a tool to push the lock pin on end plug bracket upward.
- ② Use flathead screwdriver to draw back the end plug from bracket.
- ③ Finally remove shade from mounting bracket. As shown in drawing.

