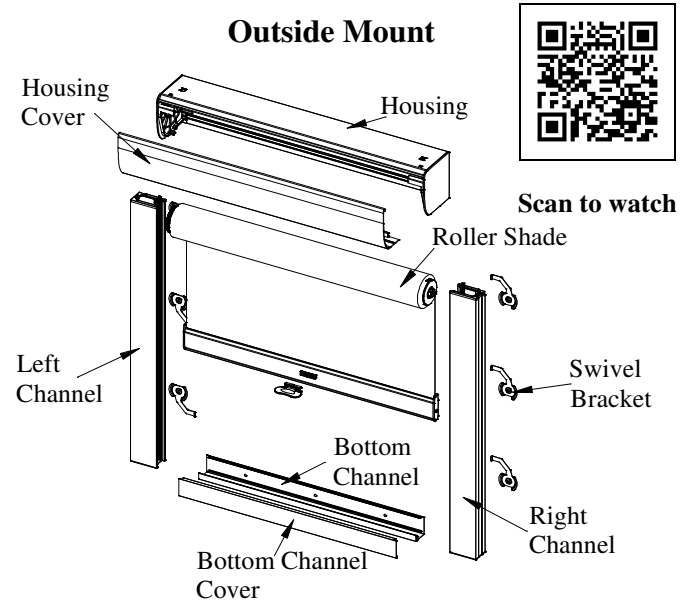
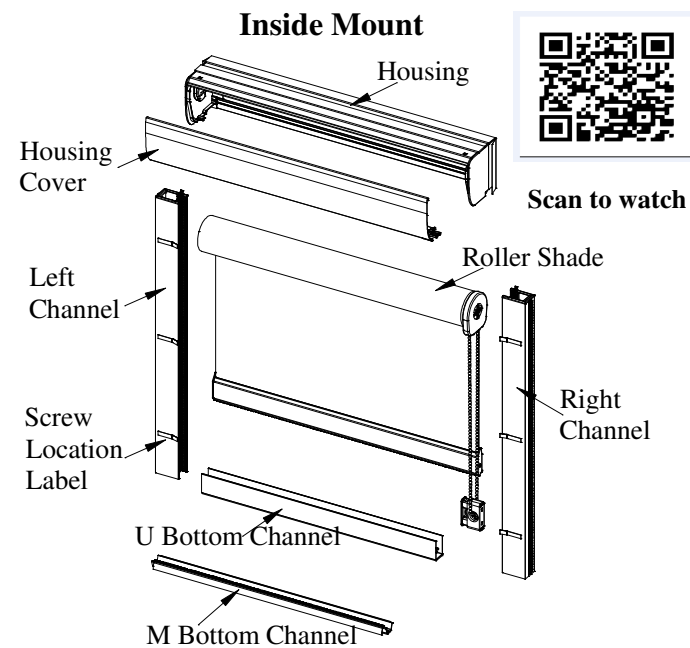


N301124-G

LightGuard 360™ System Installation Instructions



Recommended tools

- Power drill
- Tape measure
- Screwdriver
- Level ruler
- Pencil



Hardware included

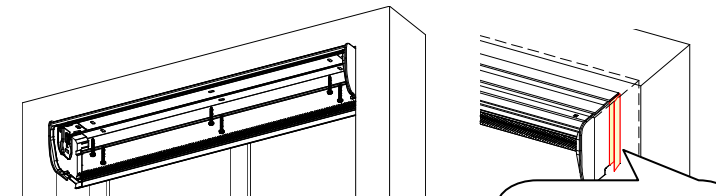
Hardware	Drawing	Usage
1 1/4" Hexagon screw		To install Housing, Bottom Channels, Side Channels, Swivel Bracket
2" Flat head screw		To install safety tension device

Installation of Housing & Side Channels

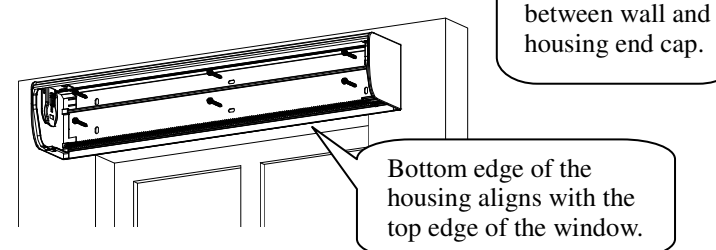
1. Installation of the housing

Install the housing to the wall with 1 1/4" hexagon screws. Check to see if the window header is level. If not, use shims to level the housing.

Inside Mount

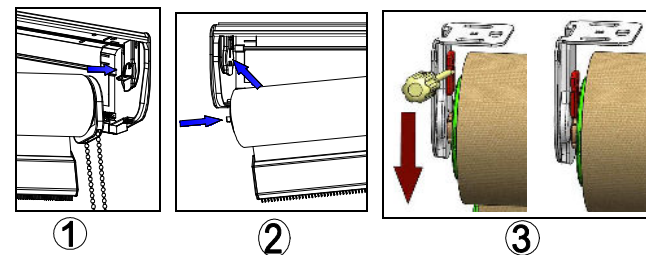


Outside Mount



2. Installation of the shade

- 1 First, insert the control side into the tongue of the bracket for the control side.
- 2 Second, press the end plug and insert the end plug into the hole of bracket of the other side.
- 3 Third, slide the lock pin in the shade bracket downward into the end plug to prevent the shade from falling.
- 4 Finally remove the paper band from the shade.



3. Installation of the side channels

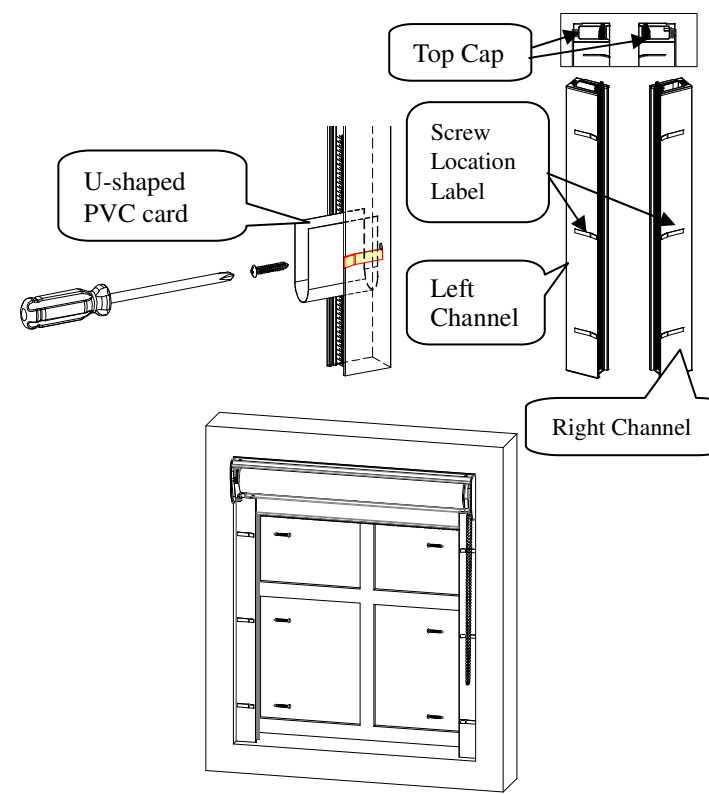
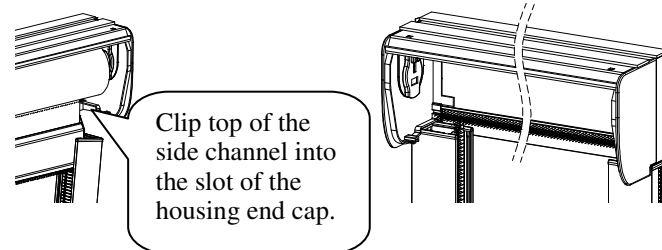
Note: Make sure the shade functions properly before installing the side channels.

Inside Mount:

Determine the left and right channels by noting the mark of LEFT/RIGHT on the top end cap of the side channels. The front of each channel contains labels indicating location of screw holes.

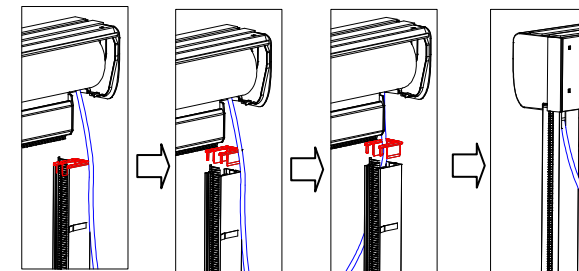
Position the top of each channel around the hem bar and clip into the slot of the housing end cap.

Take out the PVC card that stick on the side channel, and then fold it into a U-shape and place into the channel near the screw location labels to reveal each screw hole. Remove the screw location label after side channels are properly installed.



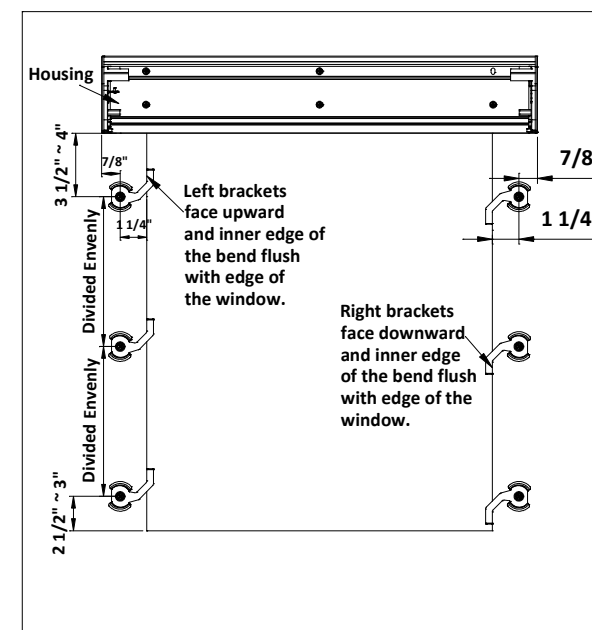
Motorized Shades:

For motors with power cord and plug cord must be routed through the back of the channel. Remove the channel end cap and run the cord through the cutout and behind the channel. Install the side channels as described earlier.



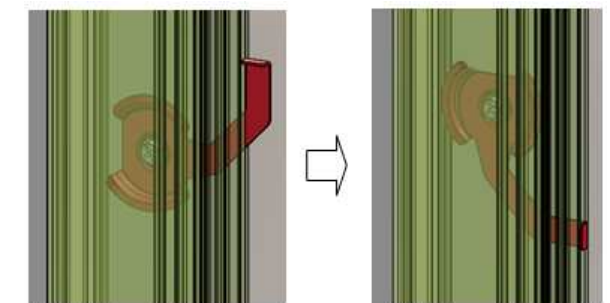
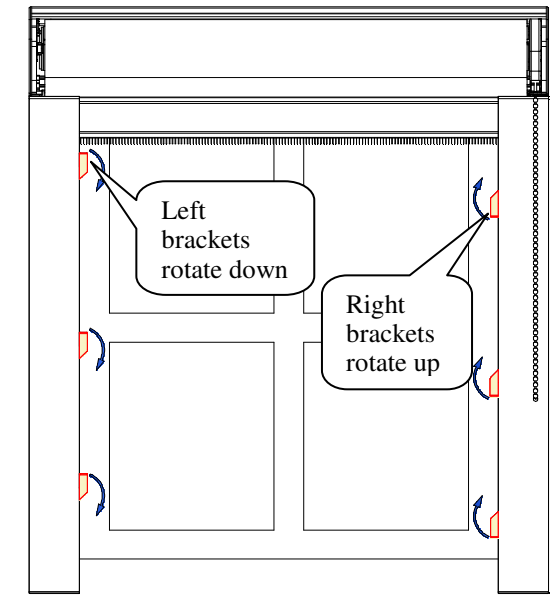
Outside Mount:

First, install the swivel brackets. Make sure that the inner edge of the bend flushes with the window edge, and left brackets face upward and right brackets face downward.

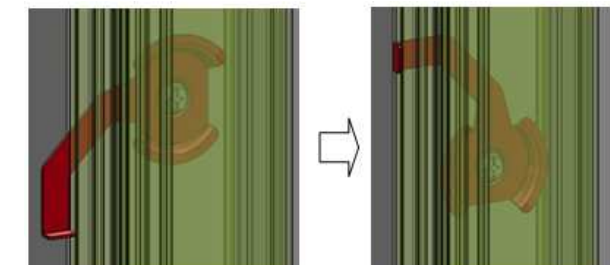


Determine the left and right channels by noting the mark of LEFT/RIGHT on the top end cap of the side channels.

Position the top of each channel around the hem bar and put into the housing end cap, and the inner edge of the side channels flush with the window edge. And then rotate the bend of swivel brackets down/up to lock the side channels.



Left Brackets

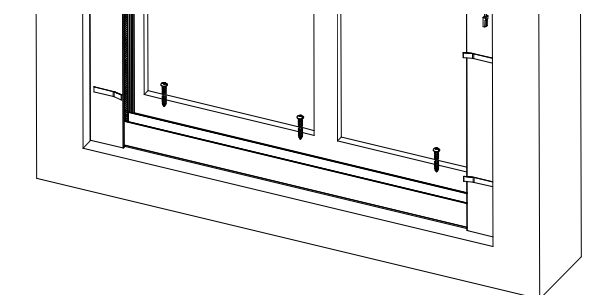


Right Brackets

4. Installation of the bottom channel

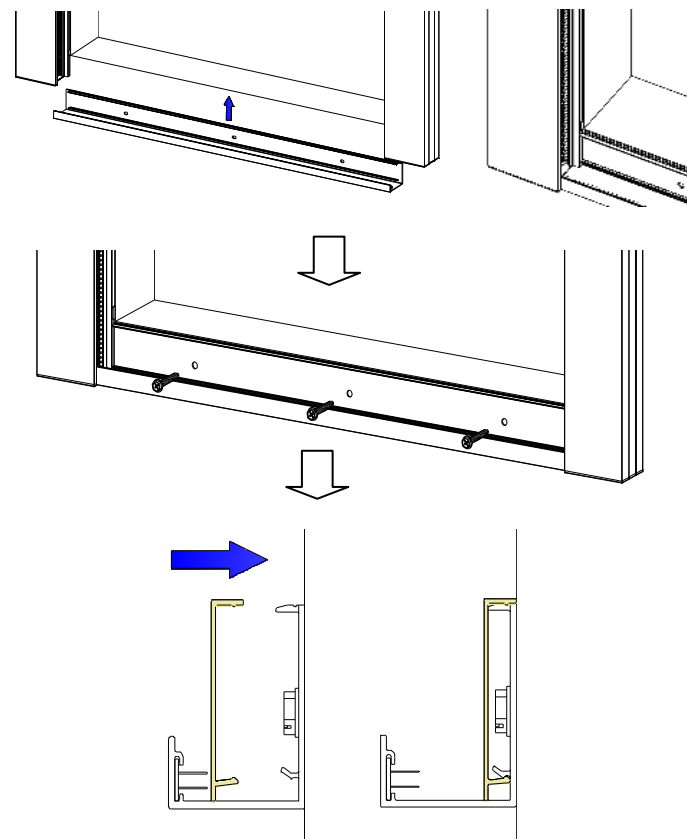
Note: Please skip this step if there is no bottom channel.

Inside mount: Place the bottom channel into the side channels and install the screws through the screw holes.



N301124-G

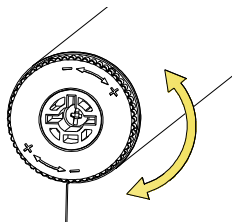
Outside mount: Slide the bottom channel from bottom of the side channels and install the screws through the screw holes, and then align the bottom channel cover with bottom channel and press it into bottom channel.



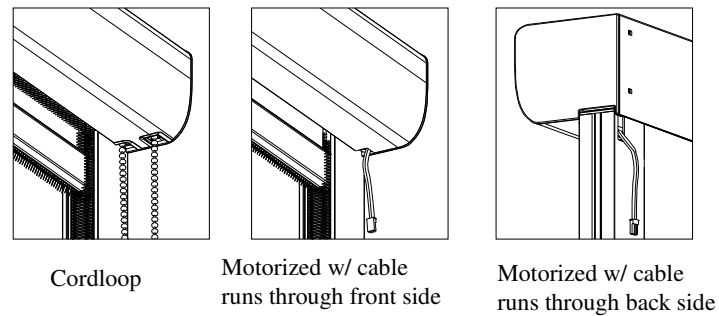
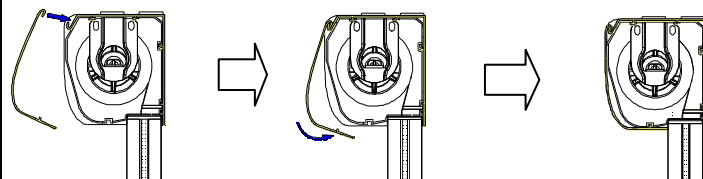
5. Installation of the housing cover

Note: Make sure the shade functions properly before installing the housing cover.

For cordless shades, if the shade begins to slide down on its own or it fails to roll up, the issue can be easily fixed by turning the adjustment dial towards "+" to increase the tension. Conversely, if the shade cannot stop at the desired height and tends to roll up by itself, the tension can be decreased by turning the adjustment dial towards the "-". The shade must be installed on the brackets when adjusting.



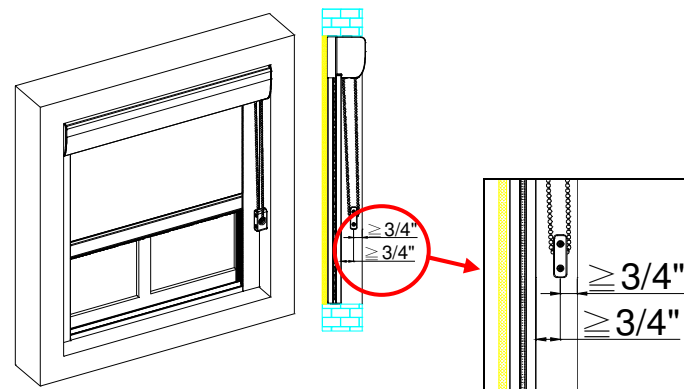
Installation: Hang the top edge of the housing cover on the housing, and then flip down the bottom of the housing cover into the end cap. Pay attention not to pinch the bead chain / power cord.



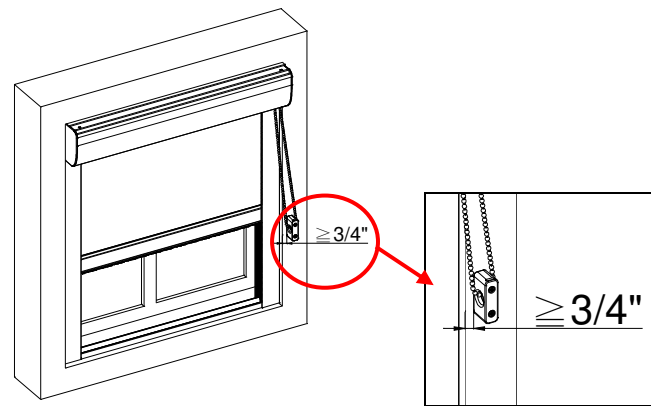
6. Installation of safety tension device

For Continuous Cord Loop, properly secure the safety tension device. The bead chain should be fully extended upon installation of the device.

Inside mount:
Mount inside the opening



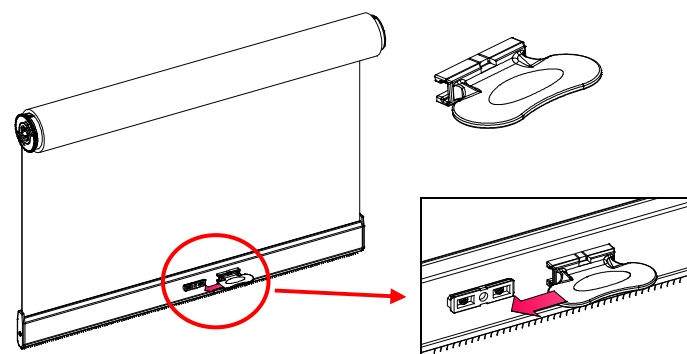
Mount outside the opening / wall mount



Outside Mount: The safety tension device should be installed outside of the side channels.

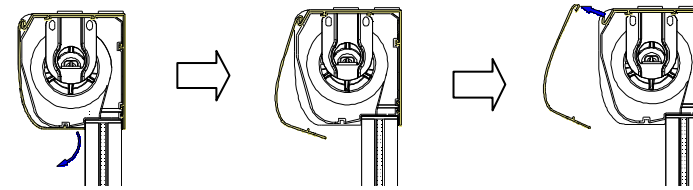
7. Installation of handle

For Cordless shades, slide the handle into the handle base.



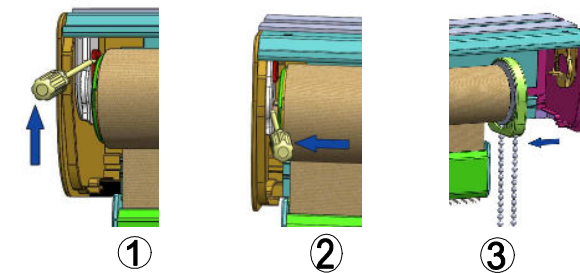
Removal of Housing Cover

Flip down the bottom edge of the housing cover to detach from the housing end cap, and then remove the housing cover from the top.



Removal of Shades

- 1 Use a tool to push the lock pin on end plug bracket upward.
- 2 Use flathead screwdriver to draw back the end plug from bracket.
- 3 Finally remove shade from mounting bracket. As shown in drawing.

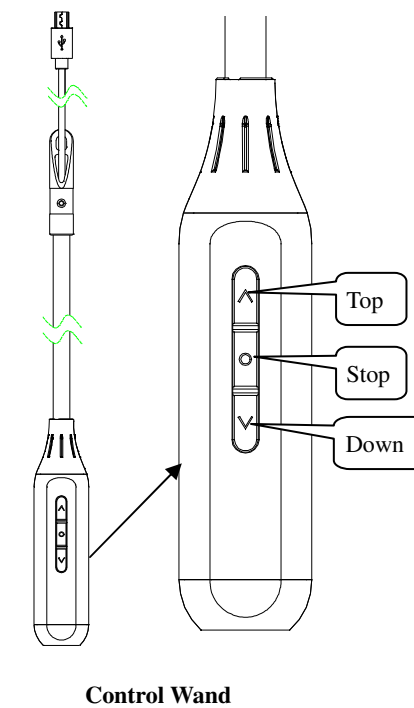


Motorized Installation

AutoWand™ Motorization

Please connect the cable of the control wand to the motor, and then the shade will turn on automatically.

Use one M3 x 3/4" flat head screw to install the hook to the wall to hang the control wand.



Control Wand

Hook

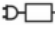
Norman Smart Motorization

Specification

NO.	Item	Specification
1	Power Source	MRS-32A: AC Power 100-240V, 50 / 60Hz MRS-32B/32C: Battery Power Li-ion batteries
2	Battery operating voltage range	4.2V~3.4V (Single cell)
3	Radio type	2.4G RF
4	Frequency band(s)	2415~2459MHz
5	Motor type	Brush DC motor
6	Charge type	Charging Wand for MRS-32B Power Adapter for MRS-32C
7	Charging Time	< 3 hours
8	Charging Temperature	5°C/41°F ~ 35°C/95°F
9	Operating Temperature	0°C/32°F ~ 40°C/104°F
10	Relative Humidity	0% ~ 90% (Non-condensing)
11	Ave. Sound Level @ 1m	≤ 50dBA

Safety Precautions

Thank you for your purchase. Please review the instructions carefully before using the product, and save these instructions for future consultation.

- **WARNING!** Important safety instruction: It is critical for your safety and the safety of those around you to follow these instructions. Please save these instructions for future use.
- **WARNING!** The motor/shade must be disconnected from its power source during cleaning, maintenance and when replacing parts.
- The products may contain Lithium-ion batteries; the battery contains flammable materials such as organic solvents. Please read the Important Safety Precautions before using the product.
- Please recharge the batteries every 3-6 months to ensure optimal performance of batteries.
- Product operation is intended for temperatures between 0°C/32°F ~40°C/104°F.
- Please note that the limited warranty will be voided if the product is modified, dismantled or used in any manner other than its intended purpose.
- The accessories, including Charging Wand, Adapter, and Remote are designed to be used with our Motorized Shades. Do NOT use them for any other purpose.
- Please make sure the shade route is clear when operating to avoid danger or damage.
- In order to improve the user experience and functionality, the firmware and software of this product will automatically update from time to time.
- **WARNING!** For the purposes of recharging the battery, only use the detachable supply unit provided with this appliance.  Detachable supply unit (UHVUU3036-240015SA)
- Do NOT disassemble the products or any of their components. They do not contain serviceable parts. Servicing of these products should be referred to qualified personnel.
- This appliance contains batteries that are only replaceable by skilled personnel, trained authorized retailer or electrician.
- Do NOT operate the product with wet hands to avoid risk of electrical shock. The product needs to be powered off and

N301124-G

disconnected from its power source during cleaning, maintenance and/or replacing parts.

- The appliance is not intended for use by persons (including children) with reduced physical, sensory or mental capabilities, or lack of experience and knowledge, unless they have been given supervision or instruction concerning use of the appliance by a person responsible for their safety. Children should be supervised to ensure that they do not play with the appliance.
- The appliance is only to be used with the power supply unit provided with the appliance.
- If the supply cord is damaged, it must be replaced by the manufacturer, its service agent or similarly qualified persons in order to avoid a hazard.
- **WARNING:** Important safety instructions. It is important for the safety of persons to follow these instructions. Save these instructions.
- **WARNING:** Important safety instructions. Follow all instructions, since incorrect installation can lead to severe injury
-before installing the drive, remove any unnecessary cords or components and disable any equipment not needed for powered operation;
-the characteristics of the driven part must be compatible with the rated load and rated operating time;
-the mass and the dimension of the driven part shall be compatible with the rated torque and rated operating time;
-fixed controls have to be clearly visible after installation;
- This appliance contains batteries that are only replaceable by skilled persons.
- Do NOT operate when maintenance, such as window cleaning, is being carried out in the vicinity.
- **IMPORTANT:** Please reserve space for connecting the Power Charger while installing the shade, please refer to "Installation" Section for more information.
- Do not allow children to play with fixed controls. Keep remote controls away from children.
- Frequently examine the installation for imbalance and signs of wear or damage to cables springs and fixings. Do not use if repair or adjustment is necessary.
- $LpA \leq 70$ dB (A).

Installation

Please take a moment to review the following installation guide.

The installation of mounting brackets and shades is same as non-motorized shades.

Check components for AC adapter Plug-In (MRS-32A)

36W Adapter			
36W Adapter	Connector Cord	Extension cord (optional)	
65W Adapter			
65W Adapter	Power Cord	Extension cord (optional)	1" screw for 65W adapter

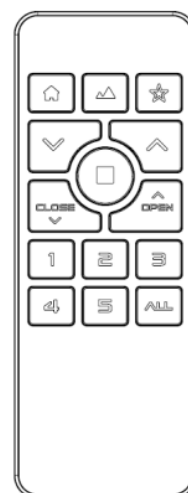
Check components for rechargeable Battery with charging wands (MRS-32B)

Wireless Charging Wand		
36W Adapter	Charging Wand	
Wired Charging Wand		
36W Adapter	Extension cord (optional)	Charging Wand
Extension pole for charging wand (Optional)		
M4 x 1/4" screw bolt		

Check components for rechargeable battery with AC adapter charger (MRS-32C)

36W Adapter	32C's Adapter Connector Cord	Extension Cord (optional)

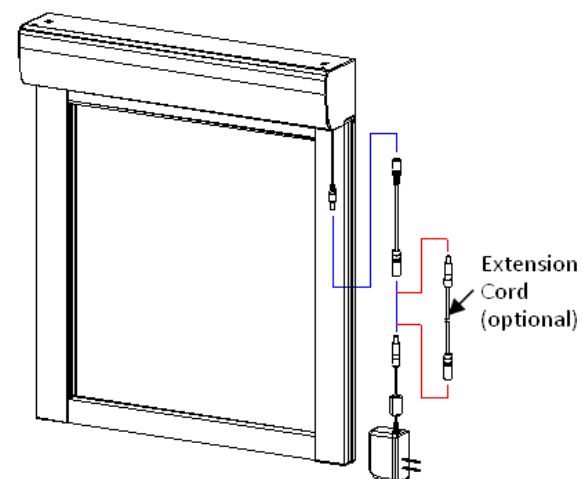
Remote



AC Adapter Plug-In (MRS-32A) with 36W adapter:

Please connect the connector cord to the adapter, and then plug the connector cord into the cable of the motor, last plug the adapter to the outlet. If there is extension cord ordered, then connect the extension cord between connector cord and adapter.

The shade will turn on automatically after plug into the outlet. And the indicator light will blink green.

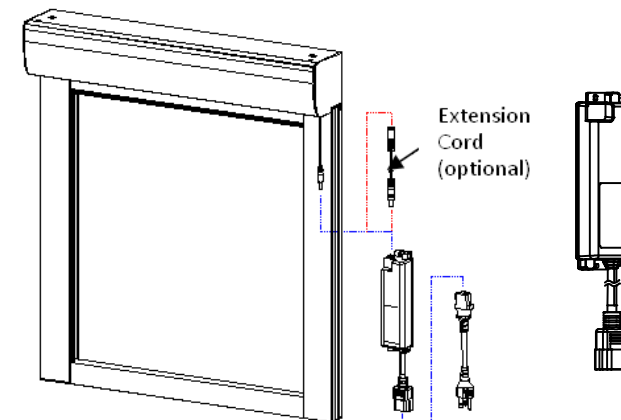


AC Adapter Plug-In (MRS-32A) with 65W adapter:

Please connect the adapter to the cable of the motor, and then plug the AC power cord into the adapter, last plug the AC power cord into to the outlet. If there is extension cord ordered, then connect the extension cord between adapter and cable of the motor.

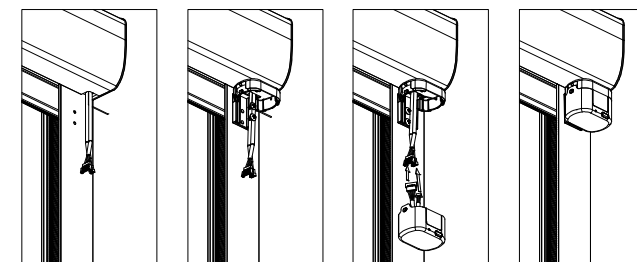
The 65w adapter will be supplied with 2 pcs of 1" screws, which can be used to fix the adapter if needed.

The shade will turn on automatically after plug into the outlet. And the indicator light will blink green.



Rechargeable Battery with Charging Wands Motor (MRS-32B):

1. Pass the motor cable through the holder bracket of the charging port.
2. Install the holder bracket of the charging port to the side channel by M4 x 1/4" screw bolts.
3. Connect the wire line of the charging port with the motor cable, and then put the lines into charging port and plug the charging port to the holder bracket.

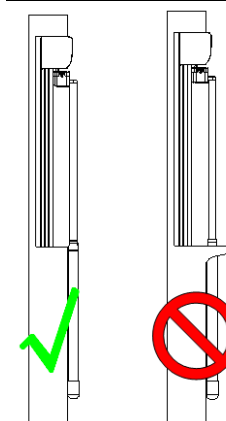


When install the shade, the front edge of the charging port should not be within the front edge of bottom window or windowsills or obstacles, otherwise the charging rod cannot be used.

The minimum shade height for shade installed within bottom window / windowsills / obstacles:

System		Min shade height	
		Wireless Charging Wand	Wired Charging Wand
LG360	3.5" Housing	40 9/16"	42"
	4.5" Housing	41 1/2"	42 7/8"

Note: If Extension Pole is ordered, it needs to add 33 11/16" to above min height size.



CHARGING THE SHADE (MRS-32B & MRS-32C)

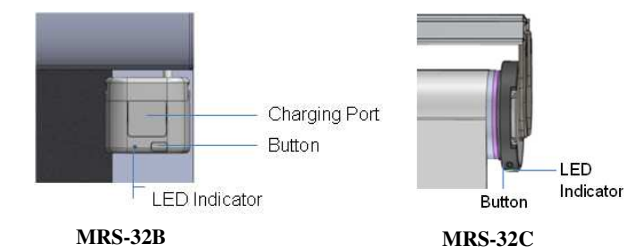
Warning!

- Please charge the shade before use!
- Please DO NOT use the shade when charging.
- Please recharge your shade every 3~6 months to ensure optimal performance of batteries.
- For shade with MRS-32B, please only use the charging wand included with this product. If using the extension cord, please DO NOT bend or twist the cord to avoid product damage or safety hazard.
- For shade with MRS-32C, please only use the 36W AC Adapter included with this product. If using the extension cord, please DO NOT bend or twist the cord to avoid product damage or safety hazard.
- After charging, please store the 36W AC Adapter, extension cord for later use.

SHADE OPERATION

For Shade with MRS-32A AC Adapter, the shade will power on as soon as the power is connected.

For Shade with MRS-32B and MRS-32C Battery Power, press and hold the shade button for 3 seconds and the green light will flash to indicate that it is powered on and ready for operation.



Operating the Shade by Remote Control

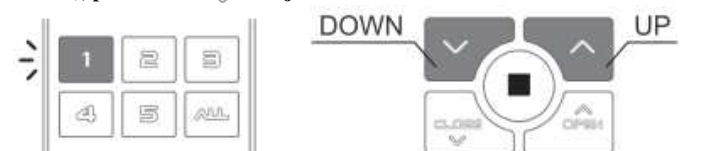
Select the group of the shade (it can select one or multiple groups at same time), press OPEN to fully raise the shade (fully open position).



Select the group of the shade (it can select one or multiple groups at same time), press CLOSE to fully lower the shade (fully close position).



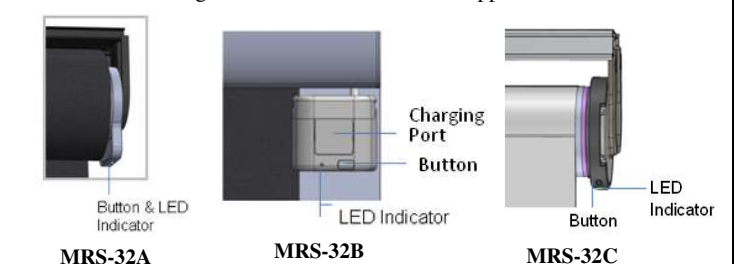
Select the group of the shade (it can select one or multiple groups at same time), press ^ or v to adjust shade location.



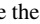
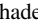
▲ : Move to Best View ■ : Stop the shade
★ : Move to My Favorite 🏠 : Move to Best Privacy
Note: "All" button default controls all shades at same time.

Operating the Shade with Shade Button

When the remote is out of reach, the shade can be operated by shade button. Press the button to move the shade in first direction when the shade is still. Press the button to stop the shade while the shade is in motion. Press the button again to move the shade in the opposite direction.



TROUBLESHOOTING

Problems	Possible Cause	Description
No reaction upon operation	No Signal	Operate the shade with the remote and check the LED indicator on the shade. Green light blinks: The shade receives signal normally. Red light blinks: Low battery / Over temperature limit Red/Green light blinks: Other problems No light: Not receiving signal / Not paired with a Remote / The shade is powered OFF.
	Low battery of Remote	Please check if the remote group lights work normally, or replace with new batteries.
	Low battery of Shade	Please use charging wand to charge the shade with MRS-32B. Please use 36W Adapter to charge the shade with MRS-32C.
	The shade is not paired with the Remote	Press and hold the paired Group button and check if the shade responds. Shade response as shift x 1 means it has been paired. Shade has no response means it needs to be paired first. Please refer to "Remote Control Manual" for pairing steps.
	Over Temperature Protection	The shade might be overheated when the LED indicator on shade blinks red during operation. Please wait at least 30 minutes and operate the shade again. Please refer to the Specifications for applicable operating temperature.
	The limits are not fully setup.	Press  /  on Remote to operate the shade and check if the shade LED blinks green and the shade works normally. If not, the shade limits might not be fully set up for full functionality. Please refer to "Remote Control Manual" to set up shade limits again. IMPORTANT! Upper and Lower limits must be setup for full function of the shades.
Limits shift	Abnormal power failure	Re-power ON : Hold the shade button for 3 seconds to power the shade ON/OFF. If the problem still exists, please try "Hardware reboot". Hardware reboot : Hold the shade button for 10 seconds until the red light illuminates and the shade will reboot. If the problem still exists, please contact your customer service for further assistance.
	Others	Please contact customer service for further assistance.

SAFETY STATEMENT

Federal Communication Commission Interference Statement

This device complies with Part 15 of the FCC Rules. Operation is subject to the following two conditions: (1) This device may not cause harmful interference, and (2) this device must accept any interference received, including interference that may cause undesired operation.

This equipment has been tested and found to comply with the limits for a Class B

digital device, pursuant to Part 15 of the FCC Rules. These limits are designed to provide reasonable protection against harmful interference in a residential installation. This equipment generates, uses and can radiate radio frequency energy and, if not installed and used in accordance with the instructions, may cause harmful interference to radio communications. However, there is no guarantee that interference will not occur in a particular installation. If this equipment does cause harmful interference to radio or television reception, which can be determined by turning the equipment off and on, the user is encouraged to try to correct the interference by one of the following measures:

- Reorient or relocate the receiving antenna
- Increase the separation between the equipment and receiver.
- Connect the equipment into an outlet on a circuit different from that to which the receiver is connected.
- Consult the dealer or an experienced radio/TV technician for help.

FCC Caution: Any changes or modifications not expressly approved by the party responsible for compliance could void the user's authority to operate this equipment.

This transmitter must not be co-located or operating in conjunction with any other antenna or transmitter.

Industry Canada Equipment Standard for Digital Equipment (ICES) –Canada

This Class B digital apparatus complies with Canadian ICES-003. Cet appareil numérique de la classe B est conforme à la norme NMB-003 du Canada. CAN ICES-3 (B)/NMB-3(B)

Innovation, Science and Economic Development Canada (ISED) Compliance Statement

This device complies with ISED's licence-exempt RSS standard(s). Operation is subject to the following two conditions: (1) this device may not cause interference, and (2) this device must accept any interference, including interference that may cause undesired operation of the device.

Le présent appareil est conforme aux CNR d'ISED applicables aux appareils radio exempts de licence. L'exploitation est autorisée aux deux conditions suivantes : (1) le dispositif ne doit pas produire de brouillage préjudiciable, et (2) ce dispositif doit accepter tout brouillage reçu, y compris un brouillage susceptible de provoquer un fonctionnement indésirable.

Radiation Exposure Statement:

This equipment complies with FCC/ISED radiation exposure limits set forth for an uncontrolled environment. This equipment should be installed and operated with greater than 20cm between the unit & your body.

Déclaration d'exposition aux radiations:

Cet équipement est conforme aux limites d'exposition aux rayonnements FCC/ISED établies pour un environnement non contrôlé. Cet équipement doit être installé et utilisé à plus de 20cm entre le radiateur et votre corps.

SAFETY INSTRUCTIONS FOR LITHIUM BATTERIES

The product may contain lithium-ion batteries; the battery contains flammable materials, such as organic solvents. Mishandling of the battery may cause fire, smoke, or explosion.

DANGER

Do not immerse the battery in any liquid, such as water, beverages, or other fluids. Exposure to liquid may damage the battery or the battery pack. Damaging the battery may generate heat, smoke, catch fire, or explode.

Do not use or place the battery in or near an open flame, heater or high temperature areas (above 80°C or 176°F), such as those near a microwave or other cooking appliance.

Subjecting the battery to high temperature or near electromagnetic radiation may damage the polyolefin separator and can cause short circuit. This may cause the battery to generate heat, smoke, catch fire, or explode.

About Charging: Do not use unauthorized chargers.

Only charge the battery within recommended conditions (e.g., temperature range, voltage, and current). Use of an unauthorized charger could cause the battery to generate heat, smoke, catch fire, or explode.

Do not attach or insert battery with polarity reversed.

If the battery does not easily fit into the charger or device, check the battery orientation. Do not force the battery into the compartment. If the battery is inserted incorrectly, the battery may generate heat, smoke, catch fire, or explode.

Do not connect the battery to an AC outlet or DC automotive plug.

The battery requires a specific charger. If the battery is connected directly to a power outlet, the battery may generate heat, smoke, catch fire, or explode.

Do not use the battery in equipment for which it was not intended.

If the battery is used in unapproved applications or systems, the battery may be damaged and generate heat, smoke, catch fire, or explode.

Keep the battery away from heat and fire.

Excessive heat will damage the battery and may cause it to generate smoke, catch

fire, or explode.

Do Not connect the positive (+) and negative (-) terminals with a conductive material. Do not carry or store the battery with any metal objects. If the battery is shorted, it may overheat and the battery may generate heat, smoke, catch fire, or explode.

Avoid excessive impact to the battery.

Impact beyond specification may damage the battery. This may cause the battery to leak, generate heat, smoke, catch fire, or explode.

Do not penetrate the battery with any sharp object. If subjected to a hard strike or penetrated by an object, the battery may be damaged, thereby causing the battery to short-circuit. This may cause the battery to generate heat, smoke, catch fire, or explode.

Do not directly solder to the battery. Soldering directly to the battery could melt the separator, damage the fume release vent or other safety mechanisms. This may cause the battery to generate heat, smoke, catch fire, or explode.

Do not disassemble the battery.

Disassembly or modification of the battery may damage the protection circuit. This may cause the battery to generate heat, smoke, catch fire, or explode.

Do not charge the battery near high temperature.

If the battery is charged while exposed to high temperature, the battery's protection circuit may activate and prevent charging, or fail and cause the battery to generate heat, smoke, catch fire, or explode.

WARNING

Ingestion

Keep away from small children.

Keep the battery away from small children. If the battery or any of its component parts is swallowed, seek medical attention immediately.

Mixed Use

Do not mix with other batteries.

The battery should not be used with other batteries having a different capacity, chemistry, or manufacturer. Doing so could cause the battery to generate heat, smoke, catch fire, or explode.

Rust, Discoloration and Deformities

Do not use abnormal batteries.

Immediately stop using the battery if there are noticeable abnormalities, such as smell, heat, discoloration, or deformity. The battery may be defective and could generate heat, smoke, catch fire, or explode with continued use.

Charging Time

Stop charging if the charging process cannot be finished.

If the battery cannot finish the charging process within the specified time, halt the charging process. The battery may generate heat, smoke, catch fire, or explode.

Leakage -1

Do not use a leaking battery near open flame.

If the battery or liquid leaking from the battery has an irritating odor, the battery should be kept away from any open flame. If exposed to an open flame, the battery could ignite and explode.

Leakage -2

Do not touch a leaking battery.

If liquid leaking from the battery gets into your eyes or makes contact with your skin, immediately flush your eyes or skin with clean water and seek medical attention. If left untreated, it will cause significant eye or skin damage.

Transport

Pack the battery securely for transport.

To prevent short-circuit or damage during transport, securely pack the battery in a case or carton.

CAUTION

Exposure to Direct Sunlight

Do not use or leave the battery in a location exposed to excessive heat, such as in direct sunlight or in a car. Doing so could cause the battery to generate heat, smoke, catch fire, or explode. It may also cause the battery's performance and life to deteriorate.

Use with other Equipment or Power

The battery pack has a protection circuit. Do not use the battery with other equipment or power as it may damage the protection circuit. If the protection circuit fails, the battery may generate heat, catch fire, smoke, or explode.

Charging Temperature Range

Only charge the battery between 5°C and 35°C. Charging outside of this temperature range may cause the battery to leak, generate heat, or result in serious damage. It may also cause the battery's performance and life to deteriorate.

Charging Method

Read the user's manual for proper product charging method.

First Time Usage

Please contact the supplier if the battery gives off an unusual odor, generates heat, or shows signs of rust prior to its initial use.

Flammable Materials

Do not charge or discharge near flammable materials. Doing so could result in fire.

Handling of Exposed Contacts or Conductors

If the battery pack has a system interface consisting of stripped lead wires or exposed contact plates, handle with due care. Temporarily insulate exposed

contacts and conductors with an insulator such as polypropylene tape or polyvinylchloride tape. Failure to do so could result in an electrical shock; a short circuit causing the battery to generate heat, smoke, catch fire, or explode; or the combustion of other materials.

Recycling

When disposing of the battery, recycle it according to local rules and regulations.

Installation Template for Swivel Bracket

