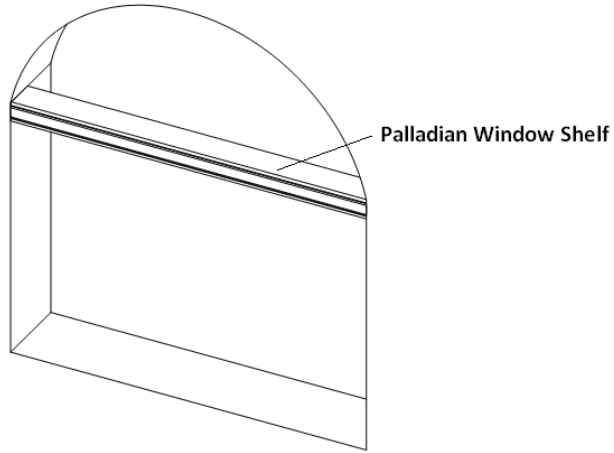


Installation Instructions

Palladian Window Shelf



Getting Started

Remove shelf from the package. Be sure to keep the packaging until finish installation and working to your satisfaction. Please take a moment to review the following installation guide for proper installation.

Tools:

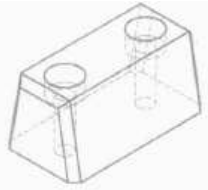
- *Level
- *Measuring Tape
- *Pencil
- *Power drill



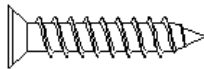
Check Hardwares

Check your package for contents need for proper installation.

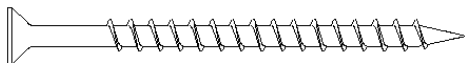
| Trapezoidal Block /Screws | Qty (pcs) |
|---------------------------|-----------|
| Trapezoidal Block | 2 |
| M4X20mm Screw | 2 |
| M4.5x63.5mm Screw | 4 |



Trapezoidal Block



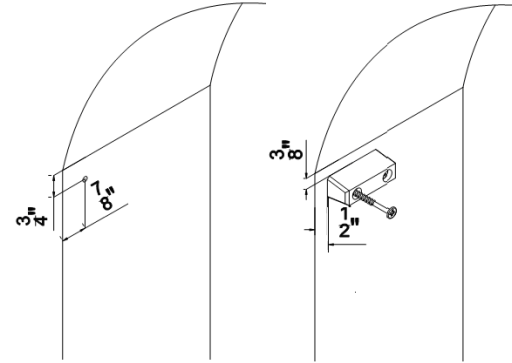
M4X20mm Screw



M4.5x63.5mm Screw

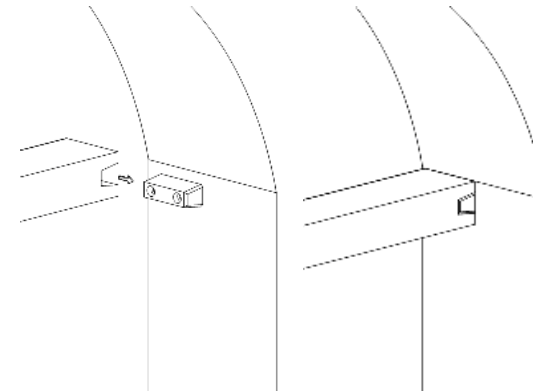
Step 1: Install Trapezoidal Block

- *Measure the first screw location and mark on the wall, drill screw holes.
- *Use M4.5x63.5mm screws to secure trapezoidal blocks.
- *The two screws holes in the trapezoidal block should be in the same level.



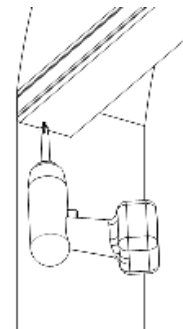
Step 2: Install Palladian Window Shelf

*Align the mouth of Palladian Window Shelf to the Trapezoidal Block and push it in.



*Use M4X20mm screws to fix Palladian Window shelf and trapezoidal blocks at both sides,

*The screws holes are pre-drilled.



Finished