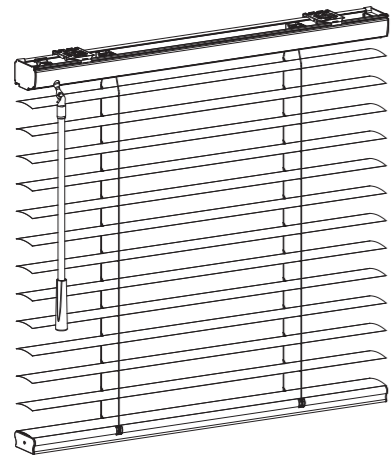


Installation & Maintenance Instructions

Please take a moment to review the following installation guide. Properly installed, your new blind will provide you with years of beauty for your home.

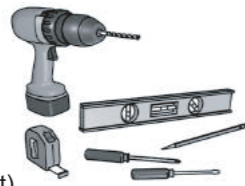


Getting Started


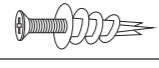
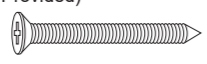
Remove the blind from the package. Be sure to keep the packaging until the blind operates to your satisfaction. Please take a moment to review the following installation guide for proper installation.

Recommended Tools

- Measuring Tape
- Pencil
- Level
- Screwdriver
- Power drill (1/4" hex driver and drill bit)

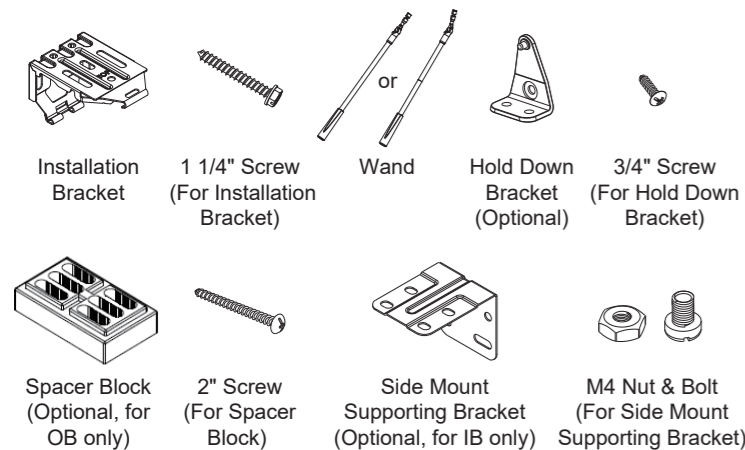


You will need to use the following fasteners for your particular mounting surface.

Mounting Surface	Fastener
Wood	1 1/4" Hexagonal Head Screw (Provided) 
Drywall/Plaster	Wall Anchors, Expansion Bolts (Not Provided) 
Metal	Sheet Metal Screws (Not Provided) 

Check Component / Hardware

Check your package for contents needed for proper installation.



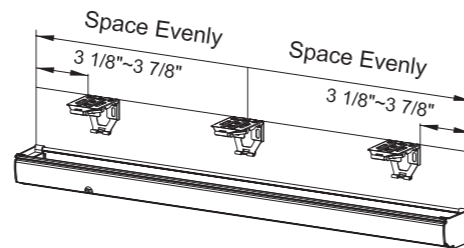
Hardware Standard Quantity

Blind Width (X)	X ≤ 37"	37" < X ≤ 47"	47" < X < 75"	75" < X ≤ 96"
Installation Bracket	2	3	4	5
1 1/4" Screw for Installation Bracket	4	6	8	10
Wand	1			
Hold Down Bracket (Optional)	2			
3/4" Screw for Hold Down Bracket	4			
Spacer Block - 1 Layer (Optional)	2	3	4	5
Spacer Block - 2 Layers (Optional)	4	6	8	10
2" Screw for Spacer Block	4	6	8	10
Side Mount Supporting Bracket (Optional)	2 <small>(Please do not joint side mount supporting bracket kits with regular brackets to do side mount for net blind widths over 37".)</small>			
M4 Nut & Bolt for Side Mount Supporting Bracket	4 sets			

Note: You may find more hardware parts than you actually need. In that case, feel free to set them aside for future use.

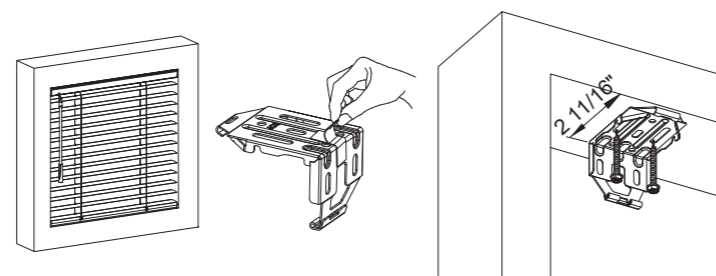
Step 1. Bracket Installation

Mark the bracket location on the mounting surface. For easy installation and proper blind operation, use a level to ensure all brackets are alignment.



Allocate min. distance from wall face to the backside of the brackets. Peel off the double-sided adhesive tape on the bracket and stick the bracket at the marked location. Use two 1 1/4" mounting screws to secure bracket. Use wall anchors for drywall or plaster wall.

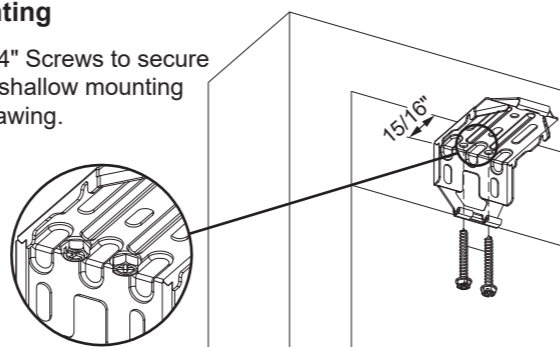
Inside Mount



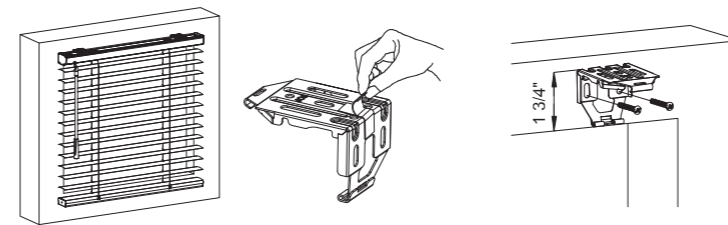
Without Valance Peel off the paper Installation Bracket Location

Shallow Mounting

Use 2pcs of 1 1/4" Screws to secure the bracket with shallow mounting holes as right drawing.



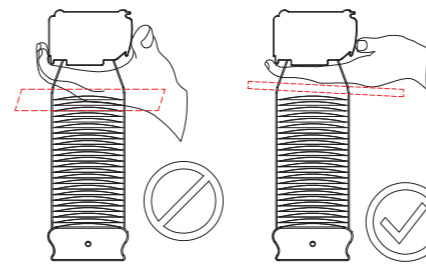
Outside Mount



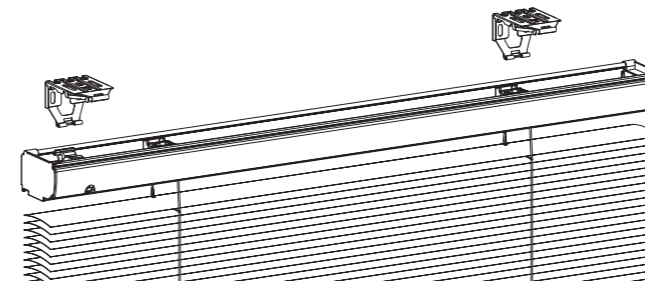
Without Valance Peel off the paper Installation Bracket Location

Step 2. Install the Blind

▲ To mount the blind, gently hold the headrail flat. Do not grasp the back of the headrail or apply too much downward pressure to the slats to minimize stretching the ladders.

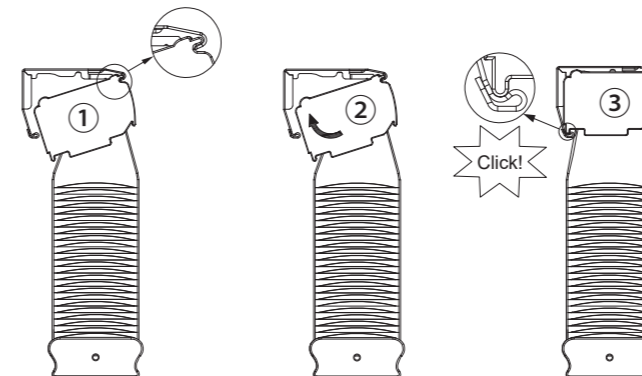


- Attach the headrail to the brackets directly as below drawing.

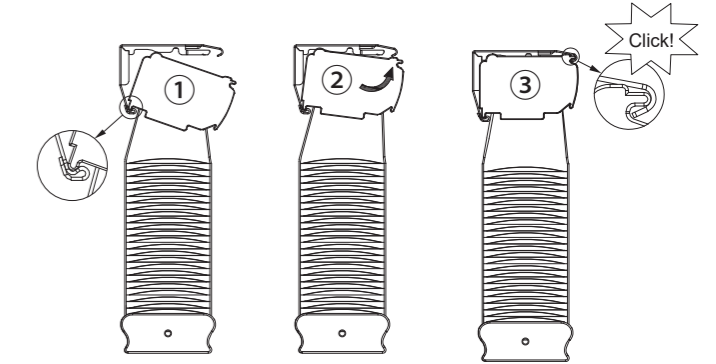


Choose one of below ways to attach the headrail to bracket.

- Start with attaching the headrail front to the bracket first.

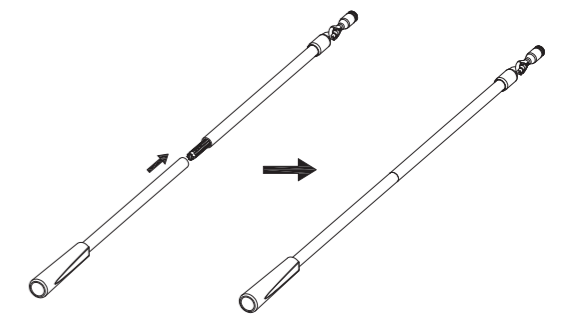


- Start with attaching the headrail back to the bracket first.



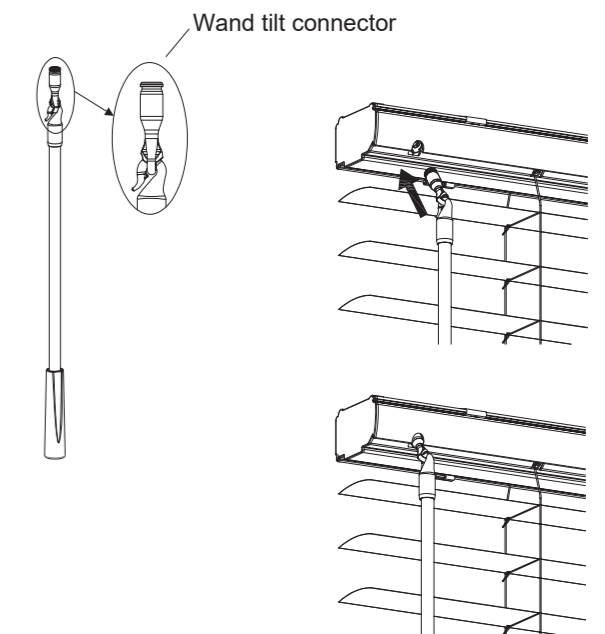
Step 3. Assemble the Split Wand (if needed)

For split wand, insert the wand to the other end (with connector) till firmly connected.



Step 4. Insert the Wand

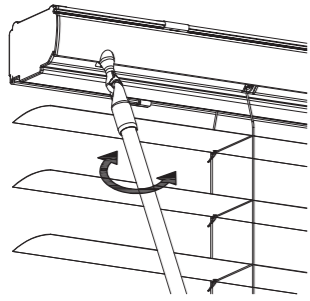
Insert wand tilt connector into the bottom of headrail till they are clicked. Do not take down the wand after installed.



Operate Your Blind

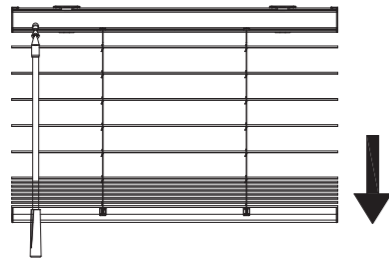
Tilt wand

Rotate wand to attain desired slat position.



Lower the blind

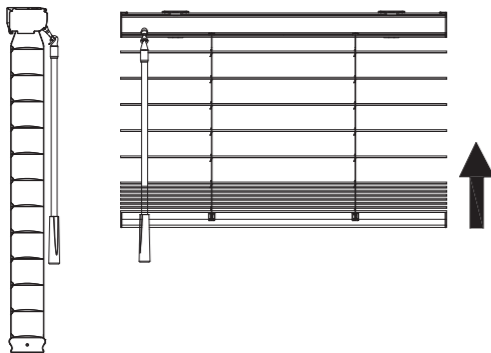
The slats need to be opened at any angle and kept even when pulling the bottom rail down by hand.



Raise the blind

Gently tilt the slats level before lifting the bottom rail up by hand.

! Do not put the slats in a closed up or closed down position while lifting the bottom rail.



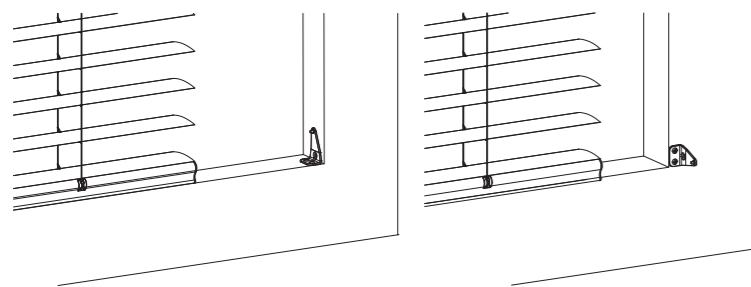
Additional Attachments

• Hold down brackets (if included)

Attach the hold down brackets against a flat surface, horizontally or vertically, parallel to the bottom rail. Make sure the protruding area is aligned with the hole on the side of the bottom rail. Secure the hold-down bracket into the bottom rail on both sides to keep blinds in desired location.

Inside Mount

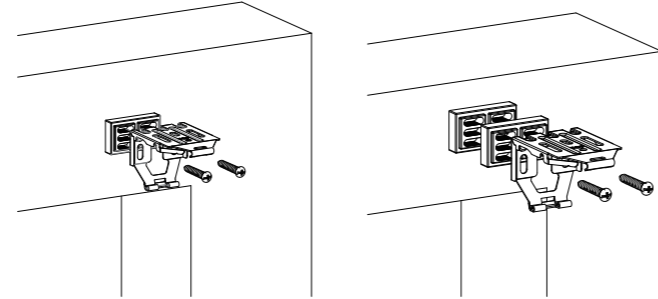
Outside Mount



• Spacer Blocks (For OB only)

Use 2pcs of 2" screws to secure the bracket and spacer block as below drawing. Make sure the bracket holes align to the spacer block holes.

1pc for extend distance 3/8" 2pcs for extend distance 11/16"



• Side Mount Brackets

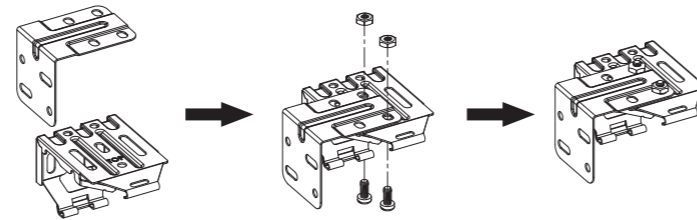
Side Mount bracket installation is available as an option for inside mount with blind width(net) ≤ 37".

For inside mount with net blind widths over 37", Side Mount Supporting Bracket Kits can be requested, but regular installation brackets must be used on blinds with widths greater than 37" in order to support the blind.

Please do not joint side mount supporting bracket kits with regular brackets to do side mount for net blind widths over 37".

How to assemble side mount bracket

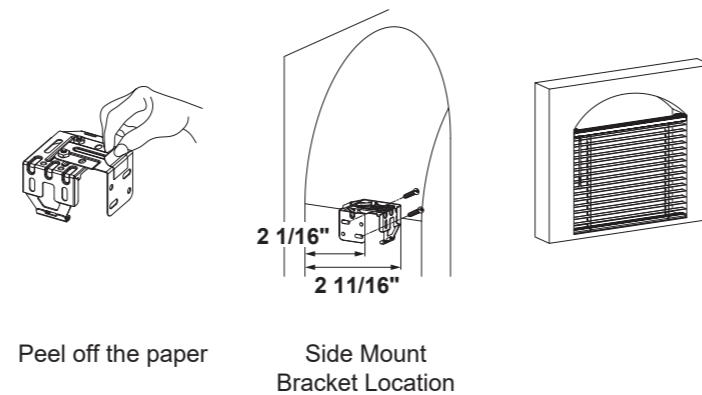
Align the side mount supporting bracket holes with the installation bracket holes, and then screw the M4 nut & bolt into the **outside holes** for the left side mount bracket. Do the same for the right side mount bracket.



How to install side mount bracket

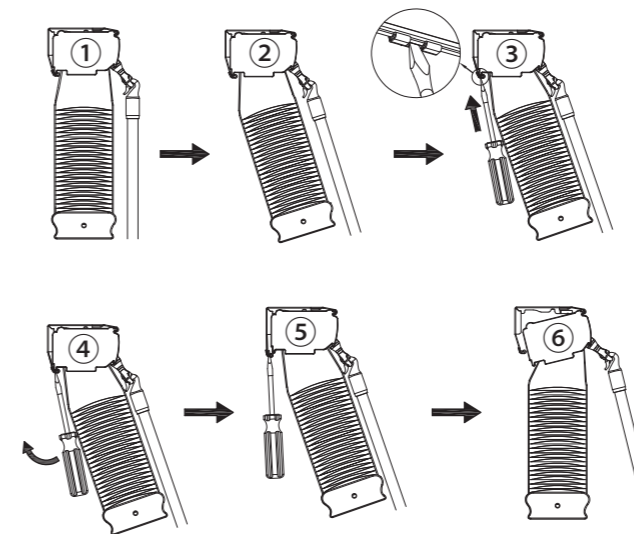
Peel off the double-sided adhesive tape on the bracket and stick the bracket at the marked location.

Put two 1 1/4" mounting screws into the **diagonal holes** to secure bracket. Use wall anchors for drywall or plaster wall.



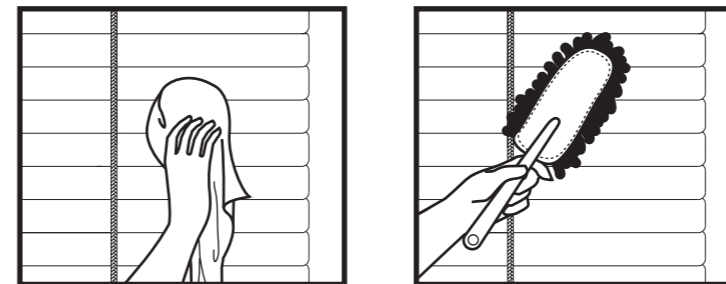
Remove the Blind

Remove the blind from brackets



Cleaning Instructions

Routine cleaning will help maintain the beauty of your blinds. There are two ways to clean. You can dust it with a duster or dusting mitten, or simply use a soft cloth, slightly moistened with water, to wipe down the slats. Then, flip them over to clean the other side as well. You can clean it with the blind hanging on the window, or you can take it down completely. By tilting the slats down but not fully closed, you will be able to clean most of the top surface of each slat. **Do not use detergent or abrasive cleaning solutions to clean the blind since it will likely cause damage to the blind.**



Troubleshooting Guide

When the bottom rail doesn't pivot as much:

When the blind is lowered all the way to the bottom, with too much pull force, the cordless mechanism may be locked by accident, causing the bottom rail to stop fully rotating while you try to close the blind. To fix, gently push the bottom rail upward with both hands to unlock the mechanism.

When raising the blind, the blind doesn't lock at a certain position:

It is likely that the cords inside the cordless mechanism become tangled. To fix, gently lower the blind with both hands all the way to the bottom. While the slats are in a horizontal position, raise the blind again.